

Short form data

## Mini Orbis LED 180 module



**L/70 at 50K hrs:** 50,000 hours to 70% of initial light output backed by a 5-year warranty means dependable, high quality LED lighting modules for the sign maker

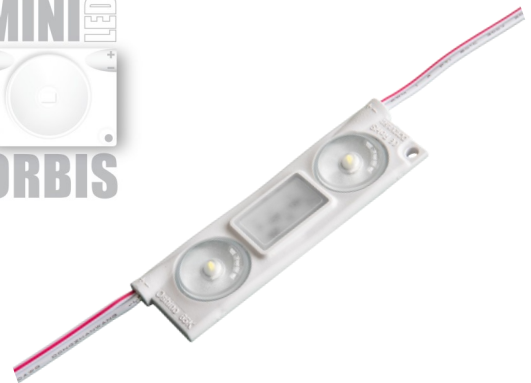
### Description

**Mini Orbis LED 180** is the latest addition to our high performance Mini Orbis LED range of flexible chain LED sign lighting systems.


This, our 180 lumens output version, is particularly effective when used for the backlighting of the largest, widest stroke built-up letters and media sign boxes from 130 to 200mm deep

Two large, light controlling lenses and a low-profile module combine with two state of the art 9V2835 LEDs to produce a superior, uniformly lit appearance even when using fewer modules, less power and reduced CO<sub>2</sub> as a result.

Each module has a peel-off self-adhesive backing plus a screw fastening point for a quick and secure installation.



### Features

- Super wide beam angle
- Two 9V2835 LED by  Sanan Opto
- Bright (180 lumens)
- High efficacy (1.8W & 100lm/W)
- Dust and water resistant (IP67)
- Safe, low power operation (12VDC)
- Self-adhesive backing & screw fixing point
- 5 years warranty and long lifetime

### Compliance

Meets the requirements of EN 62031 - LED module 'in- built LED module'. Risk group EN 62471: exempt.



For backlighting the largest and widest stroke built-up letters and sign boxes from 120 to 200mm deep

IP67 RoHS   CE 

## Design Guide: Mini Orbis LED 180



Example: modules for glass faced, Duratrans media box 150mm deep with one LED driver

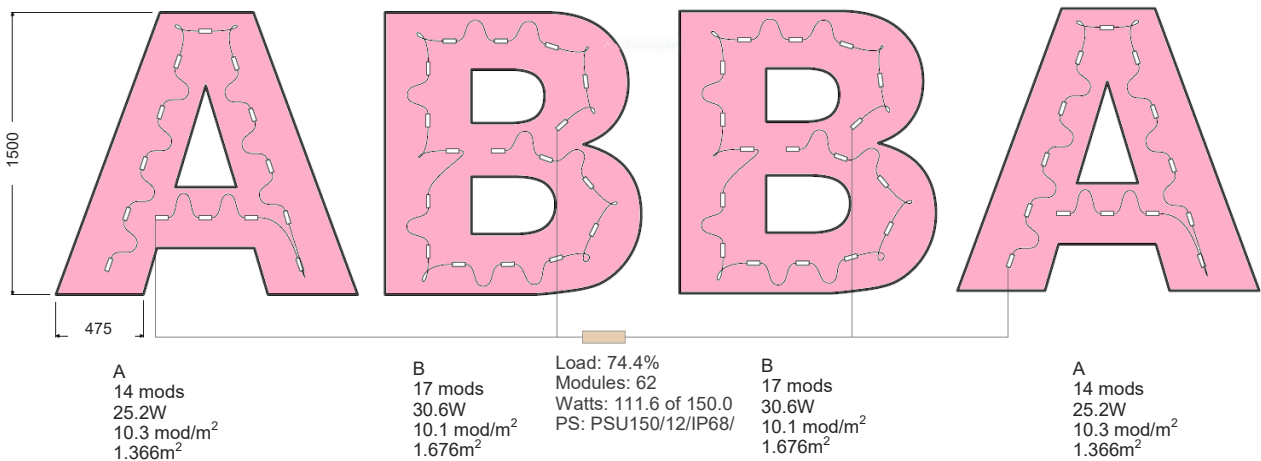


40pcs Modules: Oshino — Mini Orbis LED 180 module 1.8W 12V 6500L OLUTW180B  
72.0 module Watts 80.0 circuit Watts 0.35A  
1pce Power Supply: Oshino — PSU100/12/IP68/R LED driver  
6.194 m<sup>2</sup>

## Design Guide: Mini Orbis LED 180

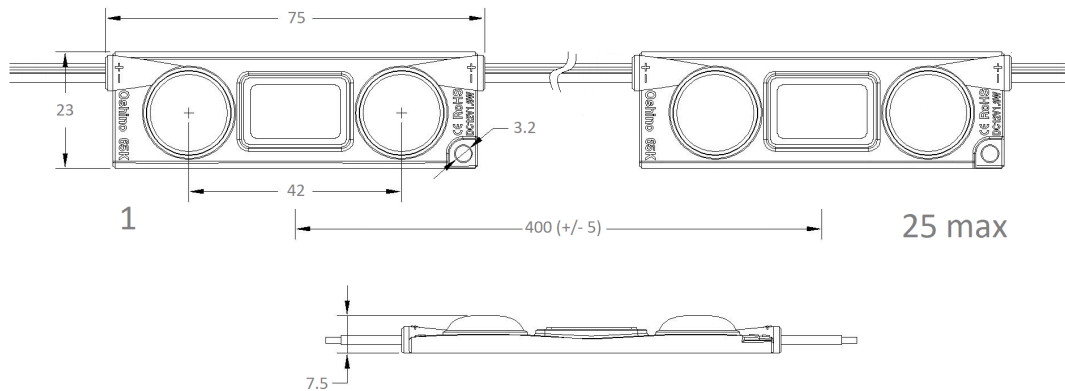


Example: modules for built-up letters with 150mm returns with one LED driver



62pcs Modules: Oshino — Mini Orbis LED 180 module 1.8W 12V white 6500K—OLUT180B  
 111.6 module Watts 117.4 circuit Watts 0.51A  
 1pce Power Supply: Oshino — PSU150/12/IP68/R LED driver  
 6.084 m<sup>2</sup>

## Dimensions



## Design Guide

Distance module mounting surface & lit face	>110
Pitch X	375
Pitch Y	375

(Module pitch: X is spacing along the chain, Y is spacing between rows of chains)

**Specifications** Optical and electrical data is typical unless indicated otherwise. All specs @ ta 25°C @ 12V / Ambient operating temp. range -25 to 55°C

Part No.	OLUTW180B (pure white)
Temp. / CRI / L70 hours	6500K typ. to 7000K max / >70 / 50K
Input Voltage	12V DC (range 11.4 to 12.6V)
Operating Current	150mA (+/- 10%)
Power Consumption	1.8W (+/- 10%)
Dimension	75(L) x 23(W) x 7mm(H)
Beam Angle	Super Wide
Luminous Flux (Max) / Efficiency (Max)	180 / 125
Modules in series (Max) & pack qty	25
Maximum number of LED modules that can be connected to a range of LED driver Wattages	60W : 28pcs 100W : 47pcs // 150W : 70pcs // 200W : 94pcs

- Mini Orbis LED 180 L/70 @ 50K hrs: 50,000 hrs to 70% of initial brightness and a 5-year warranty when ambient air does not exceed 55°C and approved LED drivers are used
- Life time is reduced when max temp exceeded
- Permanent fixing with a no. 4 screw recommended
- Do not exceed max 25pcs modules in series
- 0.5mm<sup>2</sup> Heat Resisting 90°C PVC cables: Red tracer indicates Pos' +ve
- Packaged in a sealed foil bag with desiccant
- **Mini Orbis LED 180** pack qty is 25pcs



Our Design Guide is for reference only and the ideal appearance should be checked with a lit trial | Dims in millimetres | Data subject to our Terms and Conditions and are liable to change without notice | E&OE | © Oshino Lamps (UK) Limited | Sept 2020

