

## INTRODUCTION

**SE-LED** is a unique chain LED lighting system suitable for slim sign boxes with return depths from just 40mm.

With its extra wide beam angle (170°) high efficacy (103lm per Watt) our new **SE-LED** system is specially designed for the lighting of sign boxes with slim profiles.

The system comprises modules arranged at 80mm intervals along a chain. Chains can be cut to length and shorter lengths (e.g. off-cuts) can be easily linked together. Chains of modules are plugged into a seven (single) or fourteen (double) 'busbar' distribution strip. A maximum of 294 modules can be plugged into and powered from one strip. Plug-in connectors spaced at 80mm intervals along the strip set the spacing between chains of modules at a regular 80mm. The X & Y pitch is fixed 80 x 80mm. This, along with the extra wide beam angle produces a bright and uniform look on the sign's skin from a simple to layout and wire-up system.



Each module has a peel-off, self-adhesive backing for fast and secure installation. One reel of **SE-LED** consists of 210 modules in a 16.8 metre long chain.

## FEATURES

- Extra wide beam angle 170°
- One 2835 SMD LED
- Easily cut to length
- High brightness and efficiency (103 lumens per Watt)
- Low power consumption (0.32W)
- Normal indoor use (IP20)
- Safe, low power operation (12VDC)
- 5 years warranty and greater than 50,000 hours to 70% light output (L/70)

## APPLICATIONS

- Sign applications including internally illuminated sign boxes from 40 to 100mm

## CERTIFICATIONS



**RoHS**

## SPECIFICATIONS

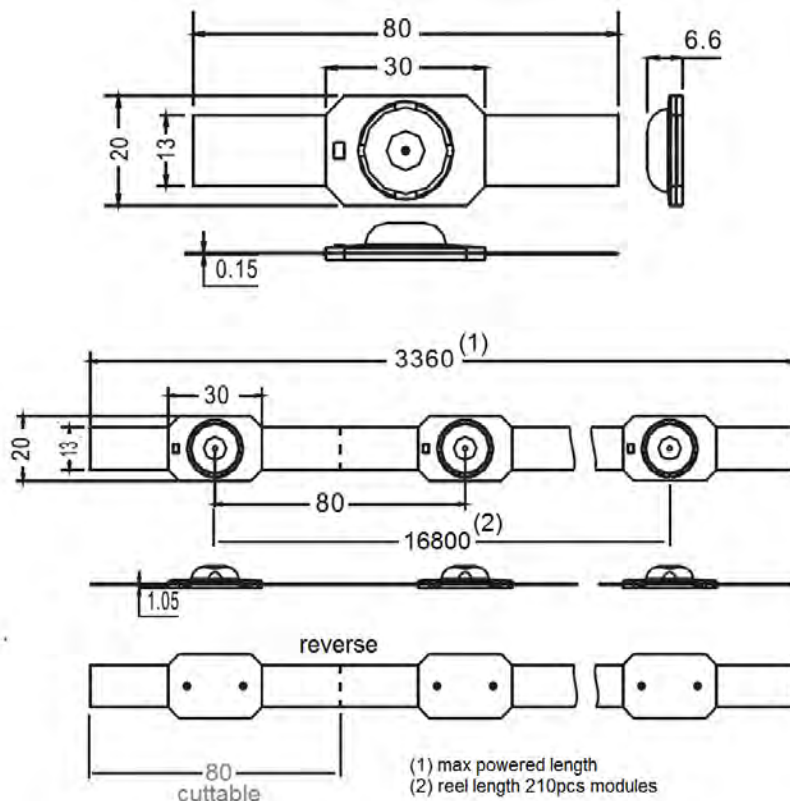
• Operating Temp. : - 20°~+60°

Colour	White
Part No.	SE-LED 01
Input Voltage	12VDC
Operating Current	0.03A (Max.)
Power Consumption	0.32W (Max.)
Dimension	80mm(L) x 30mm(W) x 6.6mm(H)
Beam Angle	170°
Luminous Flux (Typical)	33lm
Colour / Temperature (Typical)	7000K (range 6000K~8000K)
Max number of Modules in Series	42
Max number of 'busbar' strips in series	2

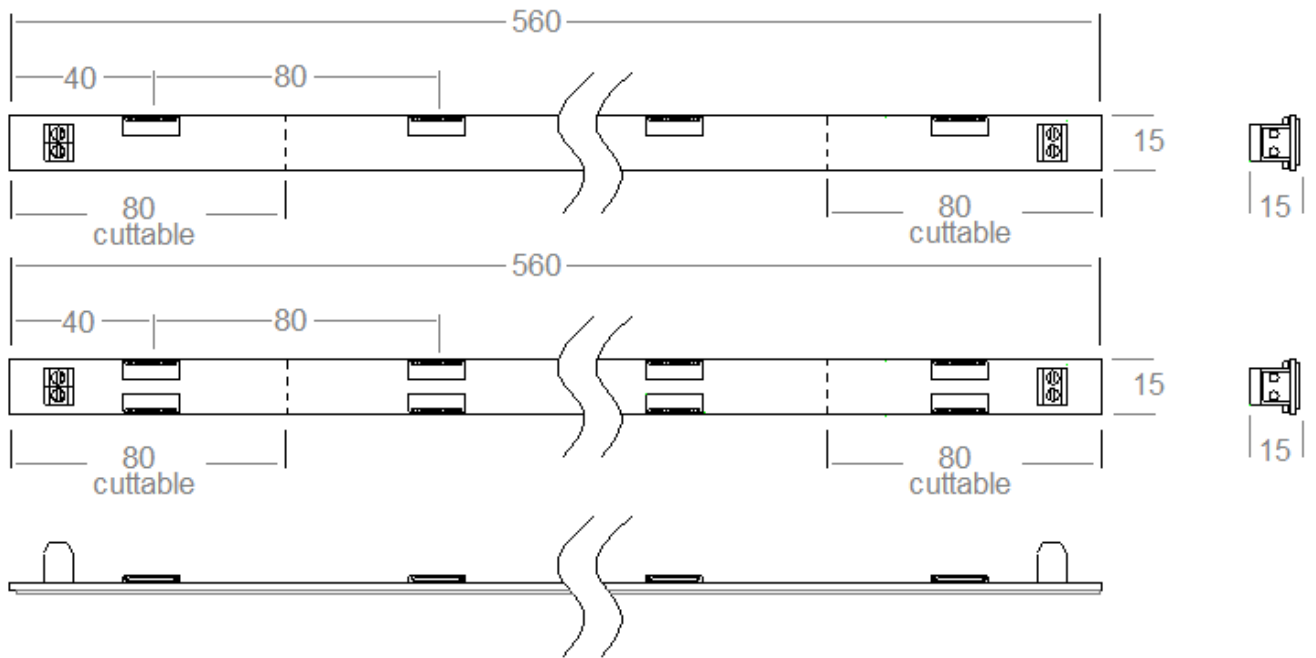
1. +/- 5~10% tolerance on specifications
2. Specifications are subject to change without prior notice to allow for product performance improvements

## DIMENSIONS (Unit: mm)

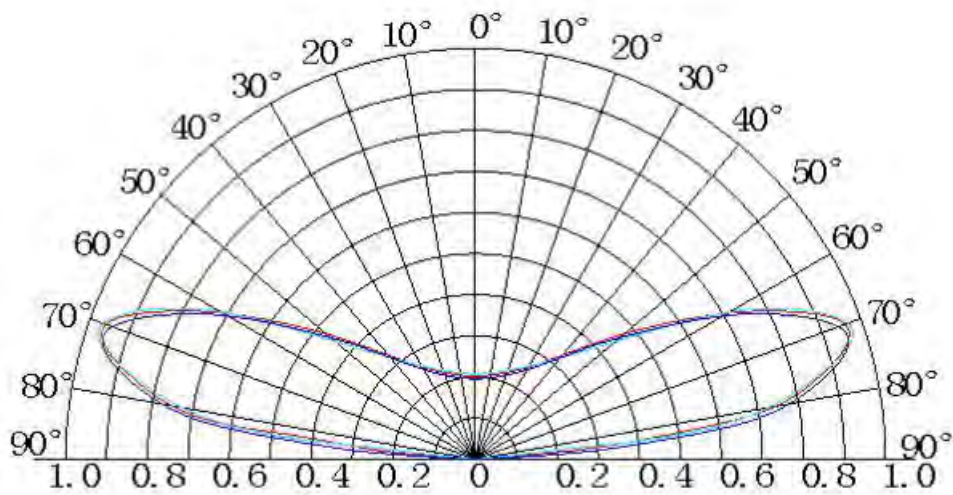
**Positive(+)** marked on ribbon  
**Negative(-)** marked on ribbon



**DIMENSIONS (Unit: mm) cont'.**



**LUMINOUS INTENSITY DISTRIBUTION (WHITE, Unit: cd, at 6000-8000K)**



## TYPICAL SLIM SIGN BOX APPLICATIONS



## ACCESSORIES



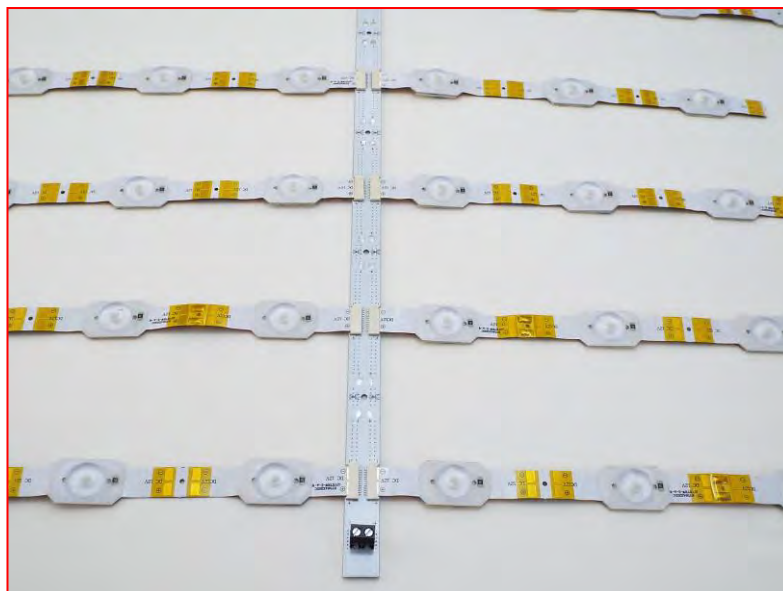
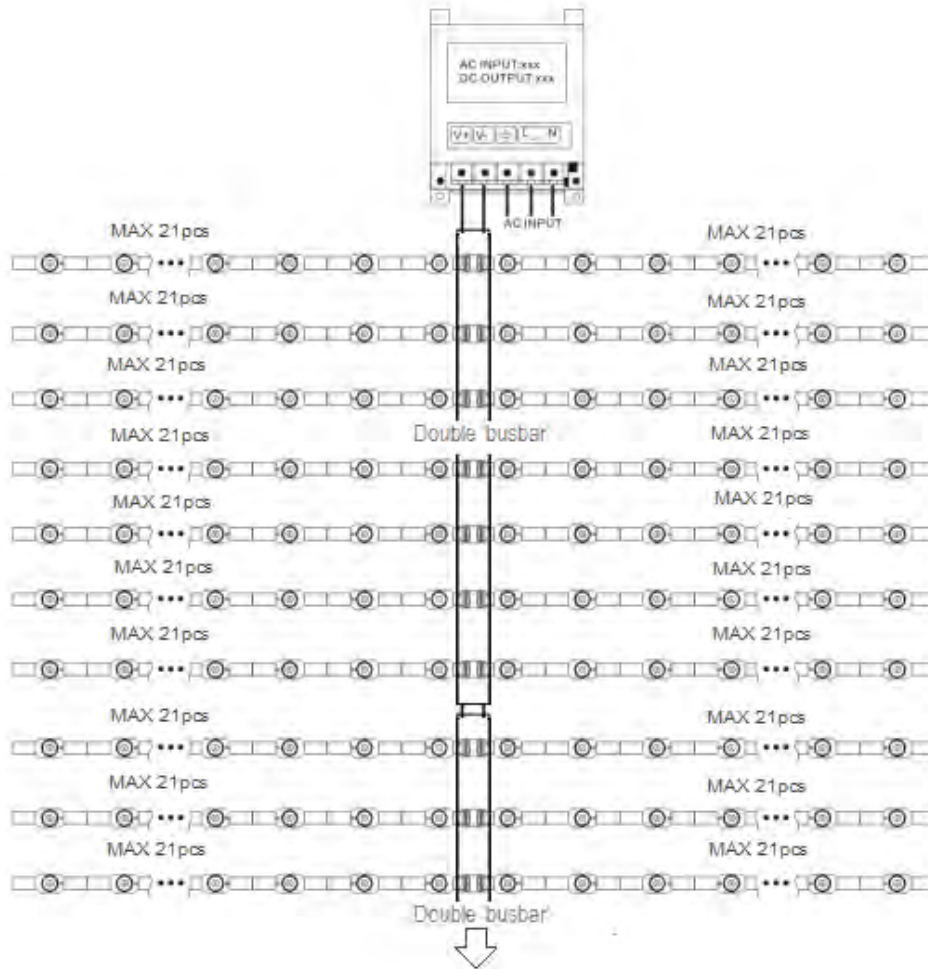
**SE001F-A2 (double) &  
SE001F-A1 (single) 'busbar' strip**



**SE001F-B2 'butt'  
connector**

## CONNECTIONS

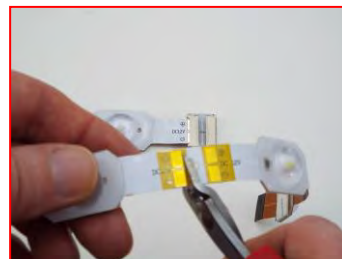
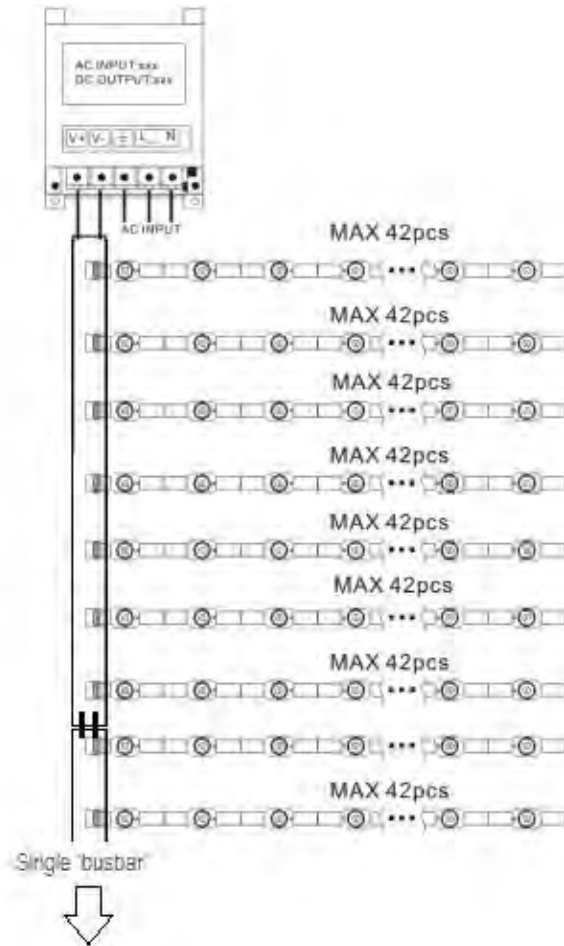
**Double** 'busbar' power strip with 294pcs modules in fourteen chains of 21pcs and two strips max linked in series





## CONNECTIONS

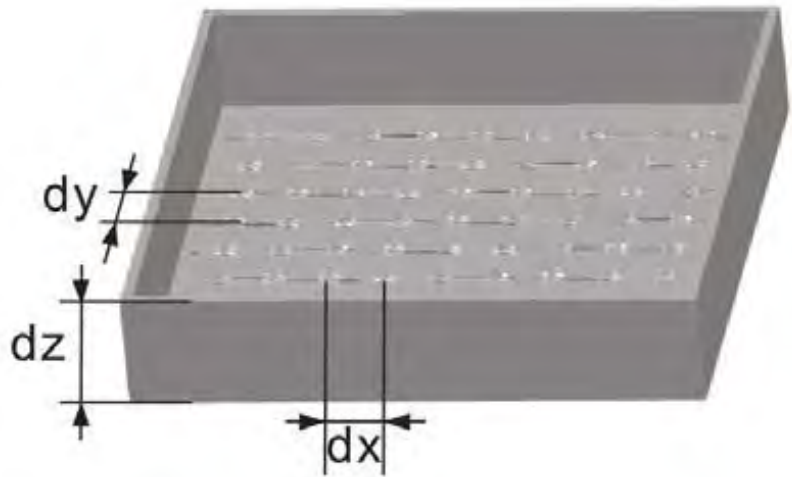
**Single** 'busbar' power strip: Up to 294pcs modules in seven chains of 42pcs and two strips max linked in series



## REFERENCE EXAMPLES

Depth (mm)	Distance (mm)	Density (pcs/M <sup>2</sup> )	Illumination (lux)
Dz=35	Dx=80 Dy=80	156	5000-5600
Dz=40	Dx=80 Dy=80	156	4600-4900
Dz=45	Dx=80 Dy=80	156	4300-4600
Dz=50	Dx=80 Dy=80	156	3900-4200
Dz=55	Dx=80 Dy=80	156	3700-4000
Dz=60	Dx=80 Dy=80	156	3400-3700

1. Example of a single-sided light box covered by 32% luminous transmittance white advertising fabric.
2. The above luminance data is the result with uniform surface illumination at the return depths shown.



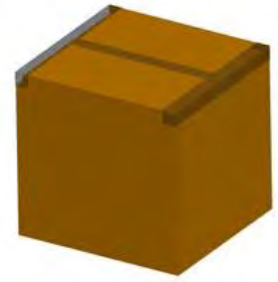
## PACKAGING



210pcs modules on one reel



10pcs reels in one carton and 2110pcs modules in one carton



### Primary DC Cable Specification Table

Module Number connected	Cable Specification
~100 modules	VCTF 1.25X2C
~150 modules	VCTF 2.0X2C
~250 modules	VCTF 3.5X2C
~350 modules	VCTF 5.5X2C

Data subject to change without notice

© Oshino Lamps (UK) Ltd 4/2015

### Driver capacity Table

Power Supply	Max. Module Number connected
PSU12/12/IP67/L	30 modules
PSU25/12/IP67/L	66 modules
PSU60/12/IP67/L	160 modules
PSU100/12/IP67/L	265 modules
PSU150/12/IP67/L	398 modules

