

short form data

# Super Orbis LED module

SOL series *Gen<sup>3</sup>*



**L/70 at 54K hrs:** 54,000 hours to 70% of initial light output backed by a 5-year warranty means dependable, high quality LED lighting modules for the sign maker

## Description

**Super Orbis LED Gen<sup>3</sup>** is our third and latest generation of our successful flexible chain LED lighting system designed specifically for back lighting large scale flex-faced sign boxes.

And it's our brightest (up to 311lms), most efficient (up to 175lm/W) module ever and now with a superior light distribution thanks to its new optical grade, acrylic lens.



state of art 3535 LED inside

Each module features a state of the art LG 3535 LED behind a light controlling lens and above a faceted, parabolic-type reflector system which together distribute light in a super wide shaped beam ideal for flex-faced and acrylic faced sign boxes.

Use from only four modules and 8.2 Watts per 1 sq. metre and just one 95% efficient LED driver for up to 33 sq. metres of sign.

## Features

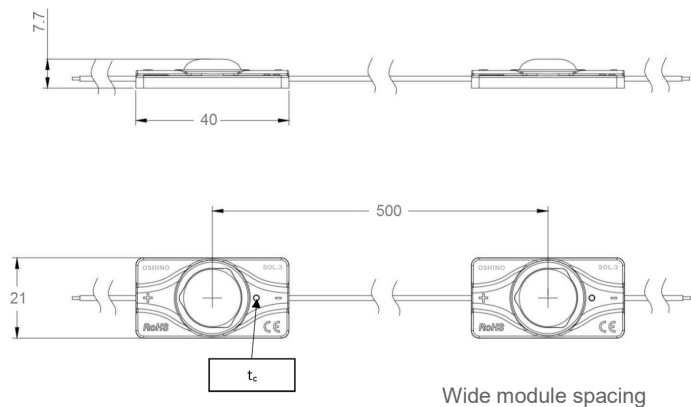
- Super wide beam angle
- One LG 3535 LED
- High brightness (311 lumens @ 700mA, 6250K)
- High efficacy (2.05W typ. up to 151lm/W)
- Dust and water resistant (IP67)
- Self-cooling, no need for heat-sink
- Self-adhesive backing
- Choice of 3-white CCTs (4000, 5000 & 6250K)
- Fire-rated & suitable for Airport and LUL sect. 12
- Availability: reels 80pcs and packs 20pcs

## Compliance

IP67 RoHS CE



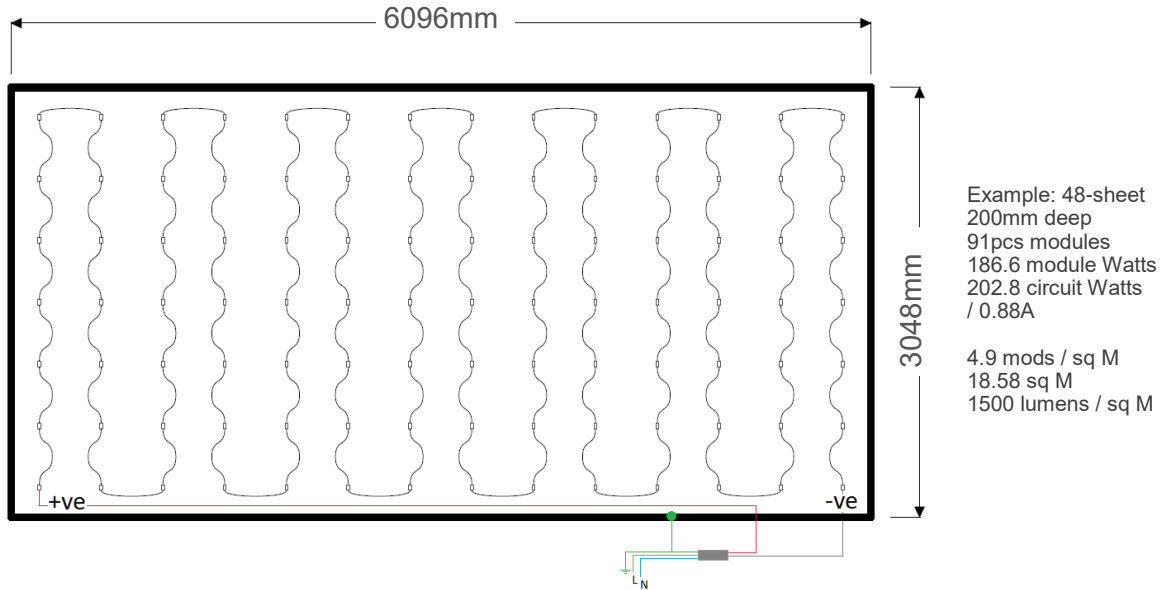
The brightest, most efficient LED module of its type: **Super Orbis LED Gen<sup>3</sup>**



Meets safety requirements for fire resistance. Module is cast from Lexan\*925 AU resin which is non-chlorinated, non-brominated flame retardant polycarbonate with UL-V0 rating and is UV stabilised. Lens is moulded from hard burning, self-extinguishing acrylic and has a fire rating UL94 HB. Cable is 22AWG tinned copper 7/0.254 with silicon rubber sheath which is low-smoke and zero halogen (LSZH) rated UL3239.

Meets the requirements of EN 62031 - LED module 'in built LED module'. Risk group EN 62471: exempt.

# Design Guide



Box return depth →	70-90	90-110	110-130	130-150	150-170	170-190	190-210
Min number of modules for uniformity in 1 sq M	22	16	14	8	6	5	4
Number of modules for normal brightness in 1 sq M	↑	↑	↑	↑	↑	6	6
Number of modules for exhibition brightness in 1 sq M	↑	↑	↑	↑	8	10	12

## Specifications

Optical and electrical data is typical unless indicated otherwise.

All specs @ ta 25°C @ 700ma / Ambient operating temp. range -40 to 50°C / Use only approved LED drivers

Part No.	OL-SOL3-4000-1	OL-SOL3-5000-1	OL-SOL3-6500-1
Input Voltage	3.1VDC to 3.4VDC (Max)	3.1VDC to 3.4VDC (Max)	3.0VDC to 3.4VDC (Max)
Operating Current	700mA (Max.)		
Power Consumption	350mA: 0.98W (Typ.) to 1.12 (Max.) 700mA: 2.05W (Typ.) to 2.38W (Max.)		
Dimension	40(L) x 21(W) x 7.7mm(H)		
Beam Angle	Super Wide		
Luminous Flux (Max.)	308lm (Max.)	308lm (Max.)	311lm (Max.)
Colour bin / Temp. / CRI	J23 & J41 / 4000K / 70	HC4 / 5000K / 70	FC4 / 6250K / 70
Minimum and maximum number of LED modules that can be connected in series	<b>350mA driver</b> Wattage: 150:43min & 132max <b>700mA driver</b> Wattage: 36W:5min & 17max // 60W: 15min & 25max // 96W: 24min & 40max // 150W:39min & 62max // 200W:57min & 83max // 240W:57min & 100max		

- L/70 @ 54K hrs: 54,000 hrs to 70% of initial brightness when Tj does not exceed 115°C
- Max surface temp at Tc 65°C
- Life time is reduced when max temp exceeded
- Maximum voltage in chain up to 500V DC
- Do Not Connect With Reverse Polarity
- Do Not Pull Or Twist Wires With Force
- Do Not Exceed Max Number Of Modules
- Use 314 3M Scotchlok IDC connectors
- Use On Aluminium or Aluminium Composite
- Use cable type 22AWG FT-1 BS6231 600/1000V 0.5mm<sup>2</sup> Heat Resisting 90°C



Our Design Guide is for reference only and the ideal appearance should be checked with a lit trial | Dims in millimetres | Data subject to our Terms and Conditions and are liable to change without notice | E&OE | © Oshino Lamps (UK) Limited | Sept 20

