

Z-LED 6 is a high lighting power LED linear system which is particularly effective for double-sided internally illuminated sign boxes, flex-face signs, totems and monoliths.

Comprising high quality and efficient Cree LEDs combined with specially designed lens, these modules produce 30% more light per Watt than other similar looking products.



Available in **three** and **five** LED versions, Z-LED 6 open p.c.b. modules are suitable for interior use and are designed to be arranged along the long edge of a sign box to provide a uniformly lit appearance on the substrate or flex-face skin.

FEATURES

- Controlled 10° x 40° flat but wide angle beam
- High Brightness and efficiency (100 lumens per Watt Z6005XBD Natural White)
- Three white colour temperatures available (Natural White is standard)
- Open p.c.b. type module with flying leads for interior use
- Safe, low power operation (24V DC)
- 5 years or 22,000 hours whichever occurs first

APPLICATIONS

- Edge lighting. One edge lit in single-sided boxes (min 90mm deep) up to 1 metre high and double-sided boxes (min 140 deep) up to 0.8 metre high. Two edges lit in single-sided boxes up to 2.5 metres high and in double-sided boxes up to 2 metres high.

CERTIFICATIONS

CE, RoHS compliant and UL94 V-2 flame-retardant

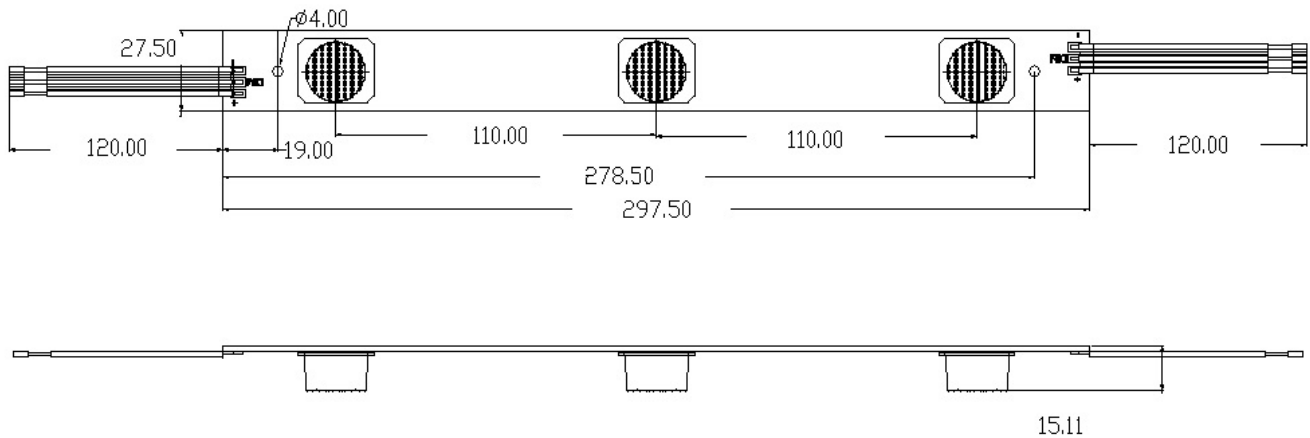
SPECIFICATIONS (Typical data @ 25°C (±2°C) and at nominal input voltage)

Part no.	LED Colour	Colour Temp (°K +/- 500)	Beam Angle (°)	Flux (lm)	CRI	Efficacy (lm/W)	Input voltage (VDC)	Current max (mA)	Power (W)
Z6003XBD	Natural White	6000	10 x 40	660	≥70	97	24	283	6.8
	Daylight White	4500		570		84			
	Warm White	3000		501		74			
Z6005XBD	Natural White	6000		1100		100		458	11.0
	Daylight White	4500		950		86			
	Warm White	3000		835		76			

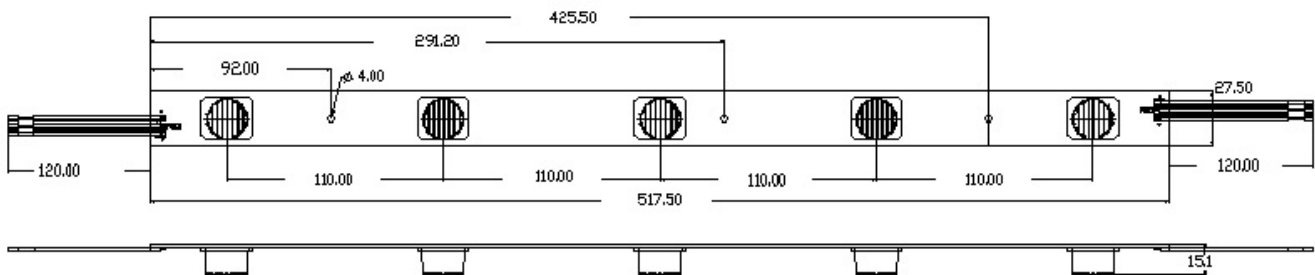
DIMENSIONS (mm)

Part no.	Dimensions (LxWxH) mm	Number of LEDs	Weight (kg)	Operating Temp (°C)	Storage Temp (°C)	IP Rating
Z6003XBD	297.5x27.5x15.2	3	0.057	-25 to +60	-25 to + 70	nil
Z6005XBD	517.5x27.5x15.2	5	0.092			

Z6003XBD



Z6005XBD

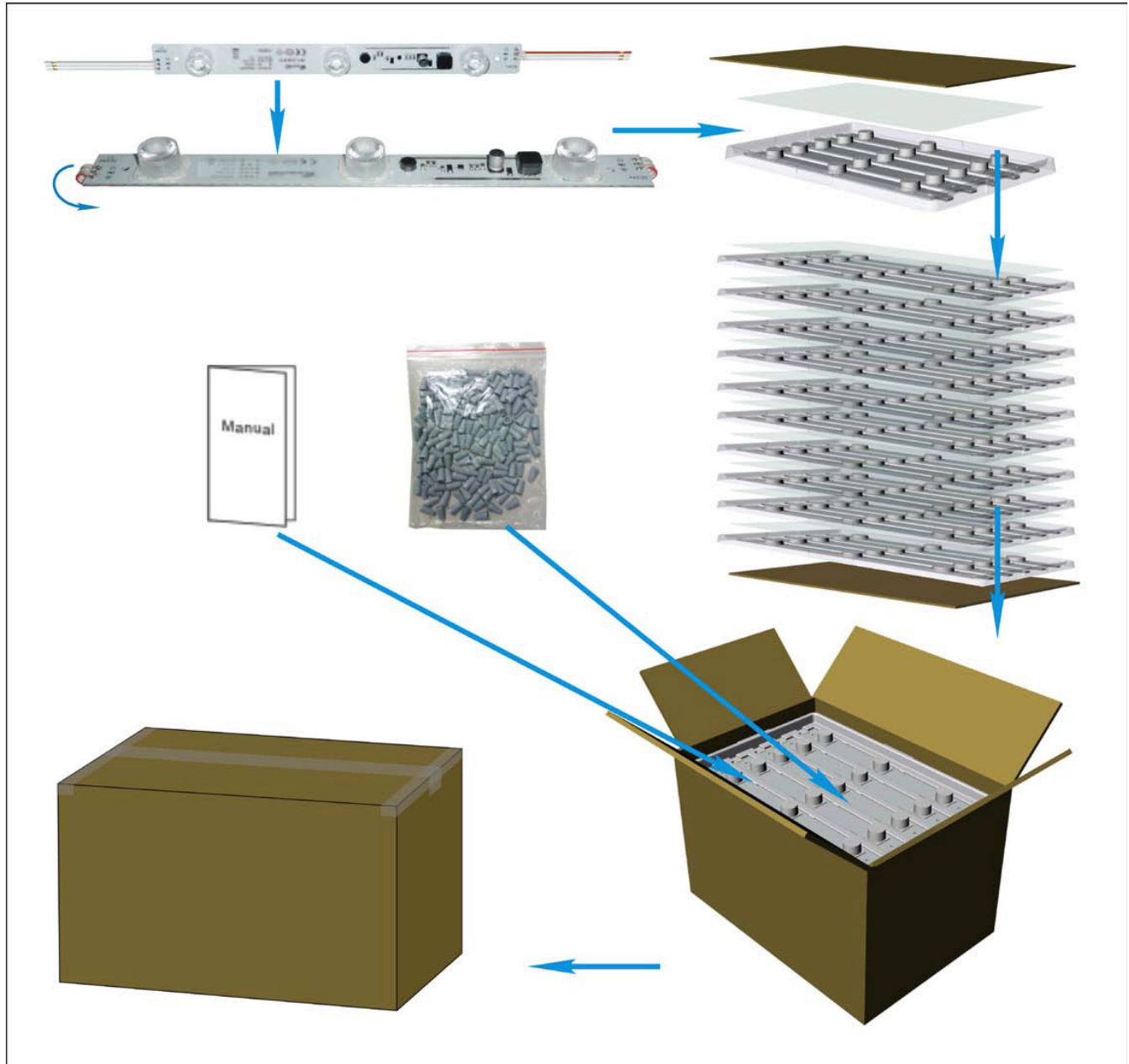


Notes

- Supplied with flying leads both ends, twist-on barrel type connectors included when with full carton qty supplied
- Suitable for either screw or self-adhesive tape fixing not supplied

PACKAGING

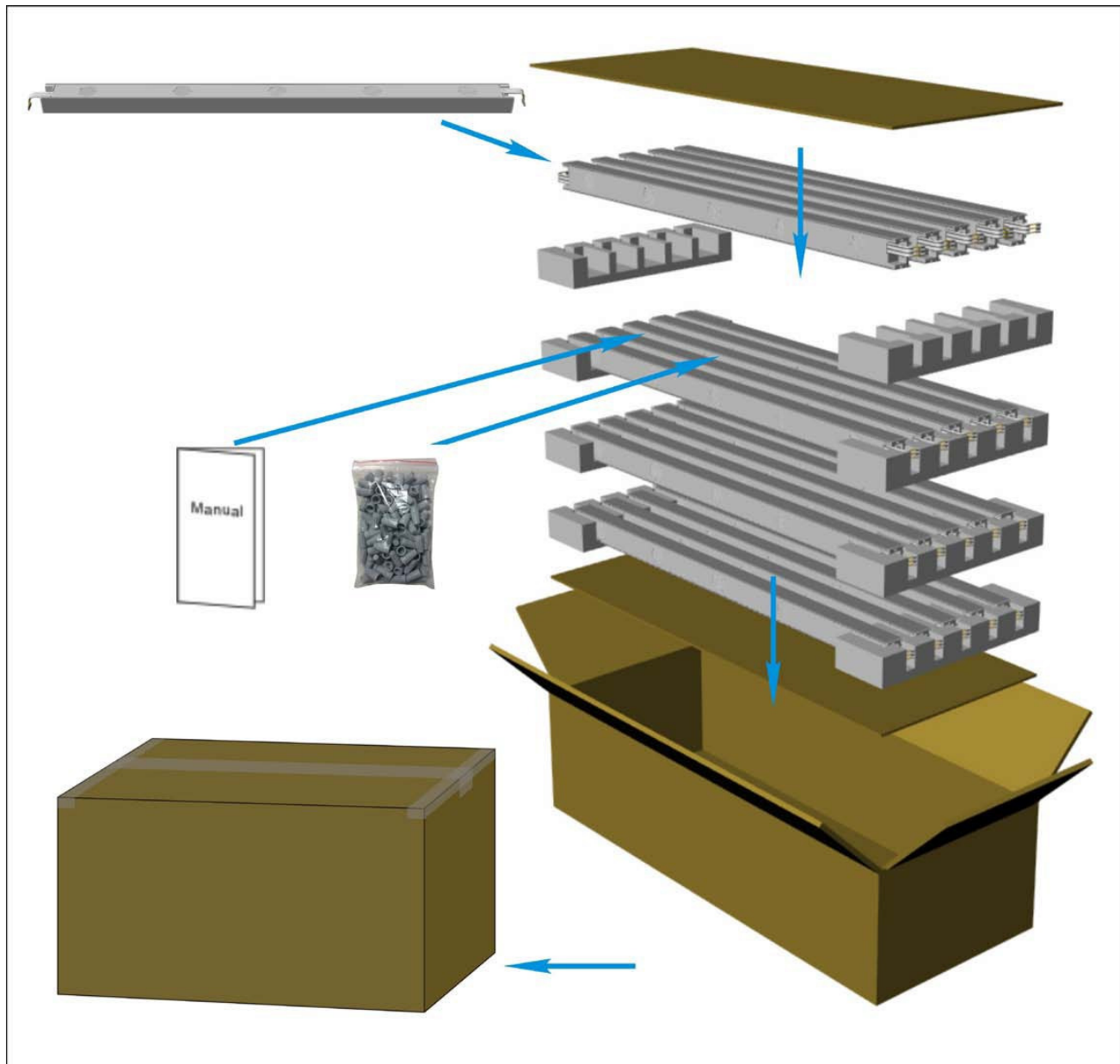
for Z6003XBD



1. Carton dimensions 37 x 24.2 x 27cm = 0.0241 M³ (1±10%)
2. 5 modules per layer, 10 layers in total, totally 50 modules per carton, 1 manual and 1 bag of twist-on barrel type wire connectors per carton.
3. Net Weight (N.W): 2.9 (1±10%) kg
Gross Weight (G.W): 4.7 (1±10%) kg

PACKAGING

for Z6005XBD



1. Carton dimensions 58.3 x 24.2 x 27cm = 0.038m³ (1±10%)
2. 5 modules per layer, 10 layers in total, totally 50 modules, 1 manual and 1 bag of twist-on wire connectors per carton.
3. Net Weight (N.W): 4.6 (1±10%) kg
Gross Weight (G.W): 6.8 (1±10%) kg

Note: The actual packed quantity and weight subject to change without prior notice.

E&OE. Data subject to change without notice and to our standard terms and conditions available at www.superorbisled.co.uk

