

short form data

H-LED 358 module

H-LED series



L/70 at 50K hrs: 50,000 hours to 70% of initial light output backed by a 5-year warranty means dependable, high quality LED lighting modules for the sign maker

Description

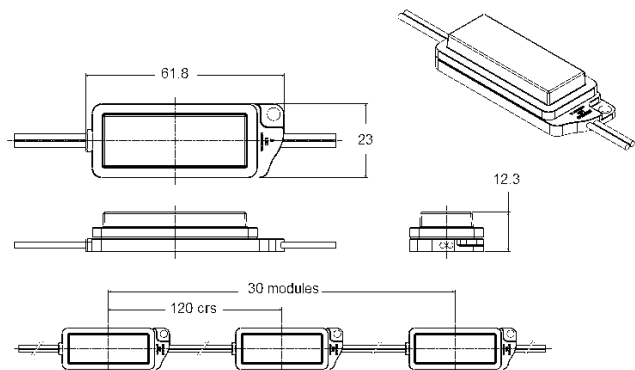
H-LED 358 is a chain LED lighting system ideal for the edge lighting medium depth sign boxes and is especially economical when used in double-sided boxes.

- Flat but wide 18° x 70° beam
- Seven SMD LEDs (SSC)
- Brighter (212 lumens)
- Better efficacy (1.92W & 110lm/W)
- Fast installation and low maintenance
- Dust and water resistant (IP67)
- Safe, low power operation (24VDC)
- 5 years warranty and greater than 50,000 hours to 70% light output



Manufactured using a state-of-the-art automated assembly process, **H-LED 358** promises to bring a new level of economy to the discerning sign maker along with a fully featured specification you would expect from Oshino.

H-LED 358 has high brightness and superb efficacy (110lms per Watt), a flat but wide (18° x 70°) beam angle, is weather resistant (IP67) and UL recognised. Each module has a peel-off, self-adhesive backing and a single screw fixing point for fast and secure installation. One pack of **H-LED 358** consists of 30 modules in a 3.6 metre long chain.



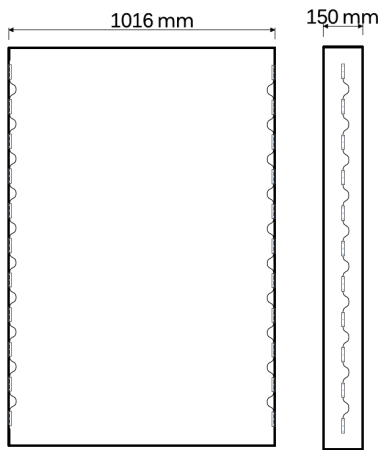
Applications

Sign applications including single and double-sided sign boxes from only 50mm deep (single-sided)

Compliance

Meets the requirements of EN 62031 - LED module 'in-built LED module'. Risk group EN 62471: exempt.

Design Guide Example: a double-sided 4-sheet sign box with opal acrylic, fabric or vinyl flex-faces



Need help with lighting a sign?
 Send a vector graphic pdf file of your sign or sign box to sales@oshino.co.uk subject line LED Wizard and we will do the rest.

Oshino recommends **greencast** Seta-LED® and Acrycast® LED from **AMARI** PLASTICS

Depth of box Min 50 Max 150 (internal)	Single-sided box	
	Width up to 500: one edge lit	Width up to 1000: two edges lit
	For number of modules divide by length by 120	
Depth of box Min 100 to Max 200 (internal)	Double-sided box	
	Width up to 500: one edge lit	Width up to 1000: two edges lit
	For number of modules divide length by 120	

Specifications Optical and electrical data typical @ ta 25°C +/-2° @ 24V | Ambient operating temp. range -20 to 70°C

Colour	White
Part No.	BFL358-DW24
Input Voltage	24VDC (min 22.8 max 26.4)
Operating Current	0.08A (Max.)
Power Consumption	1.92W (Max.)
Dimension	62(L) x 22(W) x 11(H)
Beam Angle	18 x 70°
Lum. Flux / Efficacy	212lm / 110lm/W
Colour / Temperature (Typical)	6500K (range 6000K~7000K)
Max number of Modules in Series	30



Our Design Guide is for reference only and the ideal lit appearance should be checked with a lit trial | Dimensions in millimetres | Data subject to our Terms and Conditions and are liable to change without notice | E&OE | © Oshino Sept 2020

